

YIPLD Smart Transparent LED Display

Best Glass Advertising Solution!

Only specializes in transparent LED display Where Transparent Happens!



www.yiplied.com

Website

Company Profile_	
	GO

As the leading provider of transparent LED screen in China, YIPLD is the first company to provide smart transparent LED display overall solutions. Its main products include: Jade screen series, Ice screen series, Poster screen series.

YIPLD specializes in R & D, manufacturing, selling and after-sale service of transparent LED screen. With the top R&D ability and many patents in the industry, YIPLD is the only one company who can provide the hardware, software, firmware, structure design, and cloud technology all by itself. YIPLD screens are the best glass advertising solutions for places like: building glass facade, airport, bank, hotel, shopping mall, car show room, luxury store etc.

With CE(includes EMC & LVD), UL, ROHS certification, high quality and competitive prices, YIPLD screens had been exported to world markets such as North America, South America, Europe, Asia and etc.

We are YIPLD, where transparent happens.....



Product Description_	
	GO

Smart transparent LED screen is NEW in the market. With high transparency, very simple structure, smart and high brightness – it can be applied to wider media advertising market.



Innovation Strength_	
	GO



Smart:

Screen can be controlled by smartphone. Simple and easy operation steps.



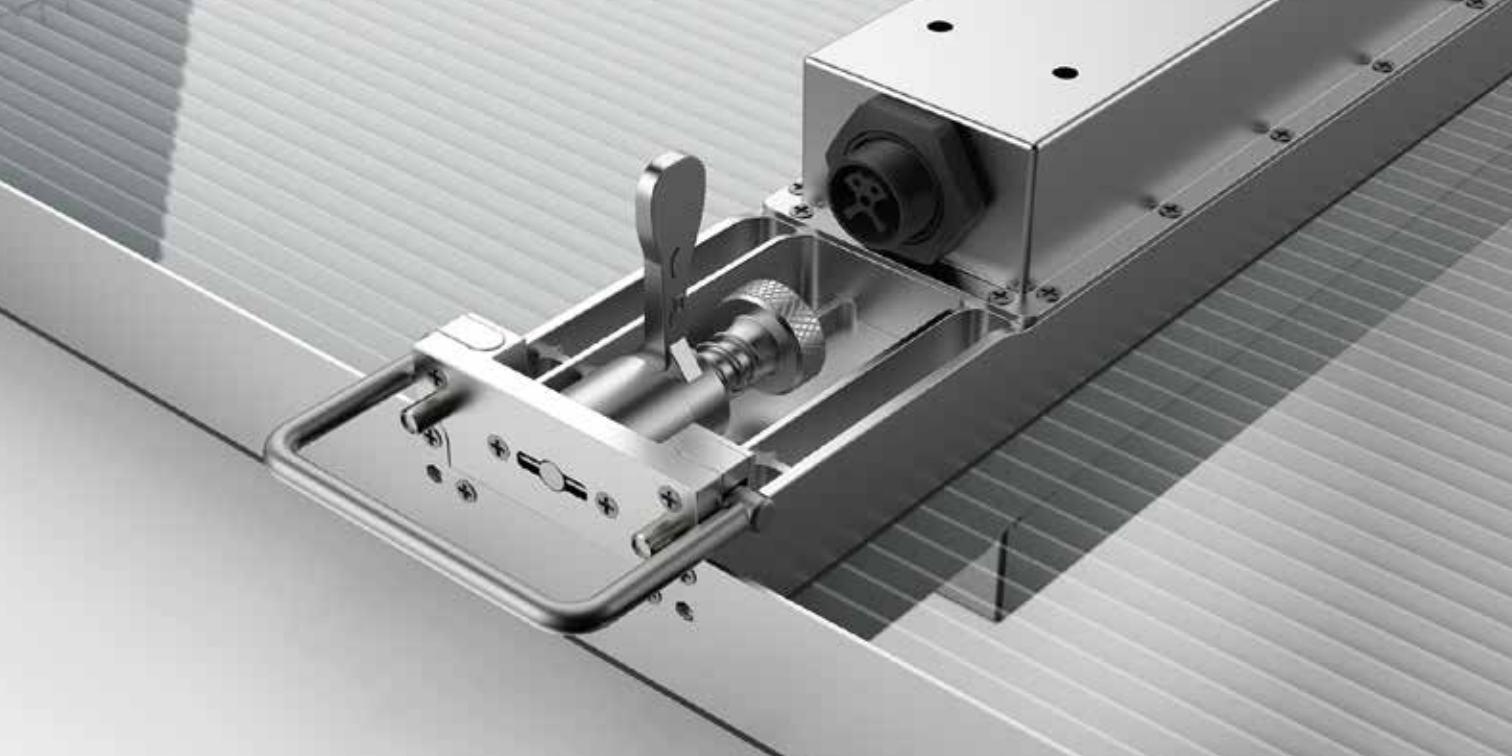
Transparent:

Display awesome HD video on screen without blocking the view.



Simple:

Plug & play. Concise appearance. Fast and easy maintenance.



Technical Strength_	
	GO



High transparency:
>85% transparency – highest in the industry



High refresh rate:
3840Hz refresh rate. No flickering when using camera taking pictures or videos on screen.



Wider view angle and Very reliable quality:
160° view angle. SMD on surface of bar, side emitting.



High brightness and Energy saving:
5500cd/m² – still clearly visible under strong light. Very low power consumption VS traditional screen, save 50% energy.



More Valuable Advertising Media_

GO

Without changing the appearance and transparency of the original construction, Yipled screens make good use of advertising value of glass window, glass wall, indoor large space of business environment etc and turn them into commercial media - delivering novel visual experience and attracting more customers.

The Value of Visual Experience

Unique visual impact, attracting more attention

The Value of Intelligent Interconnection

Control screens by smartphone. Screens can be interconnected to a large-scale media platform.

The Value of Application Form

Will not change the appearance and transparency of the original construction

The Value of Media Form

Turn glass window, glass wall etc into commercial media with practical advertising value

Application_

GO

Glass Window_



01._ Do not block inside display

02._ High definition & stunning, holographic effect & smart interaction

03._ Attract more customers, increase entering rate, enhance shopping experience

Glass Window_



01._ Do not block inside display

02._ High definition & stunning, holographic effect & smart interaction

03._ Attract more customers, increase entering rate, enhance shopping experience

Interior space in commercial architecture_



- 01._ Create a perfect space atmosphere
- 02._ Coordinate perfectly with the architecture style and interior design
- 03._ More visual impact

Stage/ Entertainment_



- 01._ Integrate virtual and real world
- 02._ Diversified surface modeling
- 03._ Create more possibilities for stage special effects

Jade screen series_

GO



	JS3SR001	JS7SR001	JS10SR001	JS15SR001
Pixel Pitch(mm)	3.9x7.8	7.8x7.8	10.4x10.4	15.6x15.6
Pixel Density(dot/m ²)	32768	16384	9216	4096
Module Display Size(mm)	500x375/1000x500	500x375/1000x500	500x375/1000x500	1000x500
Module Resolution(dot)	128x48/256x64	64x48/128x64	48x36/96x48	64x32
LED Type	SMD 3 in 1	SMD 3 in 1	SMD 3 in 1	SMD 3 in 1
Brightness(cd/m ²)	5500	5500	5000	5000
Transparency	85%	85%	87%	89%
Viewing Angle	160°	160°	160°	160°
Grey Level	14bits	14bits	14bits	14bits
Scan Mode	1/4	1/2	1/3	Static
Refresh Rate(Hz)	3840	3840	3840	3840
Frame Frequency	60	60	60	60
Avg.Power Consumption	200	200	200	200
Max.Power Consumption	900	900	900	900
Maintenance	Back	Back	Back	Back
IP	IP42	IP42	IP42	IP42
Working Temp.	-30~70°C	-30~70°C	-30~70°C	-30~70°C
Weight(kg/m ²)	15	15	15	12.5

Ice screen series_

GO



	IS3SR001HB	IS7SR001HB	IS10SR001HB	IS15SR001HB	IS20SR001HB
Pixel Pitch(mm)	3.9x7.8	7.8x7.8	10.4x10.4	15.6x15.6	20.8x20.8
Pixel Density(dot/m ²)	32768	16384	9216	4096	2304
Module Display Size(mm)	1000x500	1000x500	1000x500	1000x500	1000x500
Module Resolution(dot)	256x64	128x64	96x48	64x32	48x24
LED Type	SMD 3 in 1	SMD 3 in 1	SMD 3 in 1	SMD 3 in 1	SMD 3 in 1
Brightness(cd/m ²)	1200	4000	4000	4000	3200
Transparency	85%	85%	85%	89%	92%
Viewing Angle	160°	160°	160°	160°	160°
Grey Level	14bits	14bits	14bits	14bits	14bits
Scan Mode	1/4	1/2	1/3	Static	Static
Refresh Rate(Hz)	3840	3840	3840	3840	3840
Frame Frequency	60	60	60	60	60
Avg.Power Consumption	120	200	200	200	150
Max.Power Consumption	400	700	700	700	700
Maintenance	Back	Back	Back	Back	Back
IP	IP42	IP42	IP42	IP42	IP42
Working Temp.	-30~70℃	-30~70℃	-30~70℃	-30~70℃	-30~70℃
Weight(kg/m ²)	17	17	17	16	15

Poster screen series_

GO



	PS3SR001	PS2SR002	PS3SR003	PS3SR002	PS3SR004	PS3SR005
Pixel Pitch(mm)	3.9x7.8	2.87x5.74	3.9x7.8	3.9x7.8	3.9x7.8	3.9x7.8
Pixel Density(dot/m ²)	32768	59971	32768	32768	32768	32768
Screen Display Size(mm)	1000x500	700x1000	500x750	700x1000	2000x1125	1000x750
Screen Resolution(dot)	256x192	244x172	128x96	178x128	512x144	256x96
LED Type	SMD 3 in 1	SMD 3 in 1	SMD 3 in 1	SMD 3 in 1	SMD 3 in 1	SMD 3 in 1
Brightness(cd/m ²)	5500	5500	5500	5500	5500	5500
Transparency	85%	82%	85%	85%	85%	85%
Viewing Angle	160°	160°	160°	160°	160°	160°
Grey Level	14bits	14bits	14bits	14bits	14bits	14bits
Scan Mode	1/4	1/6	1/4	1/4	1/4	1/4
Refresh Rate(Hz)	3840	3840	3840	3840	3840	3840
Frame Frequency	60	60	60	60	60	60
Avg.Power Consumption	200	300	200	300	200	200
Max.Power Consumption	900	1000	900	1000	900	900
Maintenance	Back	Back	Back	Back	Back	Back
IP	IP42	IP42	IP42	IP42	IP42	IP42
Working Temp.	-30~70℃	-30~70℃	-30~70℃	-30~70℃	-30~70℃	-30~70℃
Weight(kg/pc)	69	30	11.6	25	50	20.7

Cases_	
	GO

